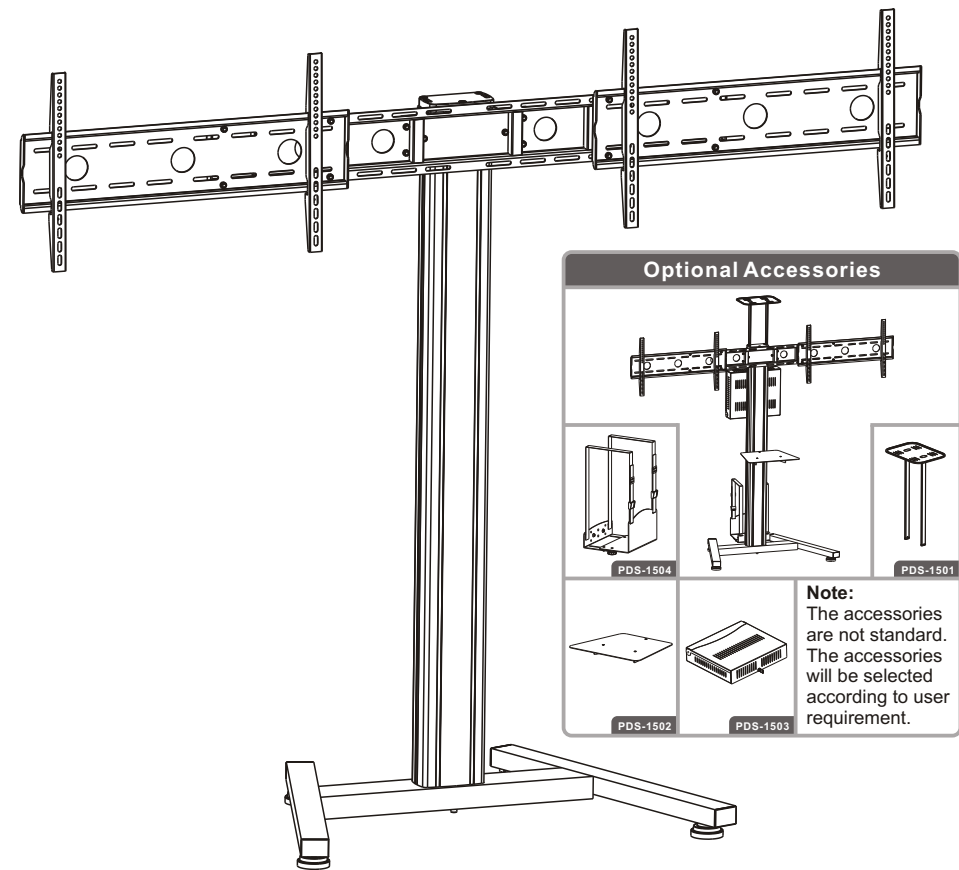




Flat Panel Floor Stands and Accessories







Optional Accessories

Note:
The accessories are not standard. The accessories will be selected according to user requirement.



CAUTION: DO NOT EXCEED RATED LISTED WEIGHT. SERIOUS INJURY OR PROPERTY DAMAGE MAY OCCUR!

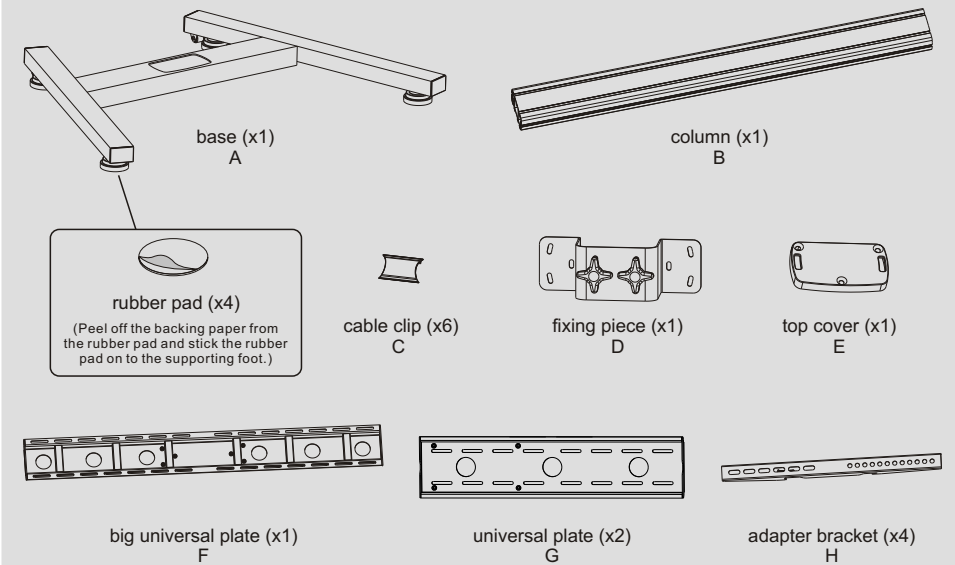
<p>PDS-1002S</p>	 <p>200x200/300x300 400x200/400x400 600x400</p>	 <p>60" MAX</p>	 <p>60kgx2 (132lbsx2) RATED</p>	<p>All accessories</p>  <p>10kg (22lbs) RATED</p>
-------------------------	--	--	--	--

NOTE: Read the entire instruction manual before you start installation and assembly.

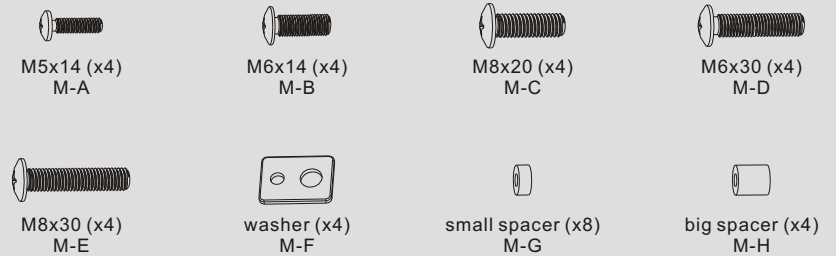
⚠ WARNING

- Do not begin the installation until you have read and understood all the instructions and warnings contained in this installation sheet. If you have any questions regarding any of the instructions or warnings, please contact your local distributor.
- This mounting bracket was designed to be installed and utilised **ONLY** as specified in this manual. Improper installation of this product may cause damage or serious injury.
- Always use an assistant or mechanical lifting equipment to safely lift and position the equipment.
- Tighten screws firmly, but do not over tighten. Over tightening can cause damage to the items, This greatly reduces their holding power.
- This product is intended for indoor use only. Using this product outdoors could lead to product failure and personal injury.

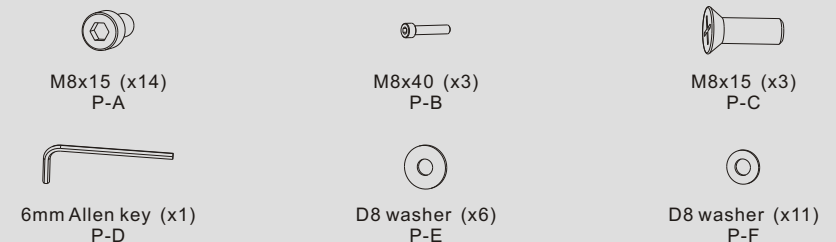
IMPORTANT: Ensure that you have received all parts according to the component checklist prior to installation. If any parts are missing or faulty, telephone your local distributor for a replacement.



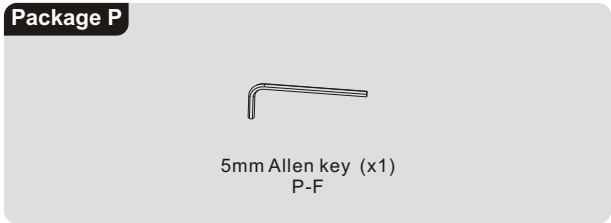
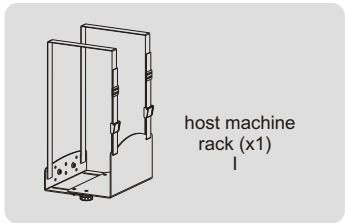
Package M x 2



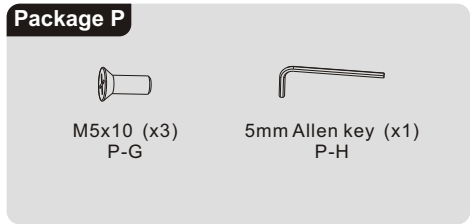
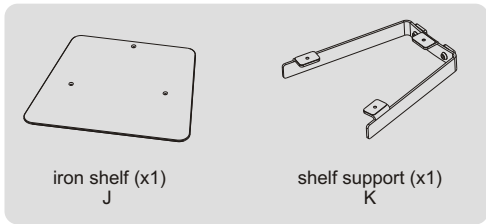
Package P



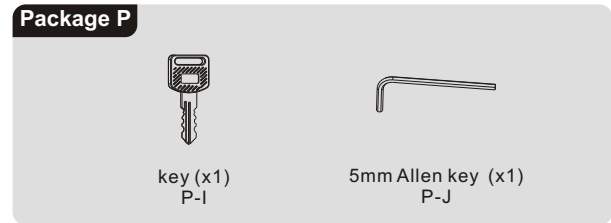
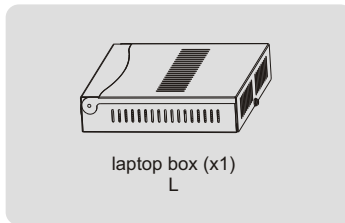
PDS-1504



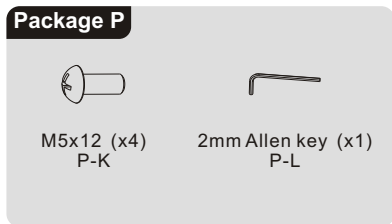
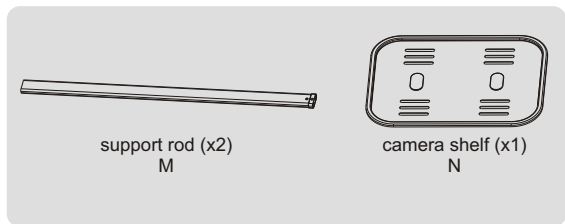
PDS-1502



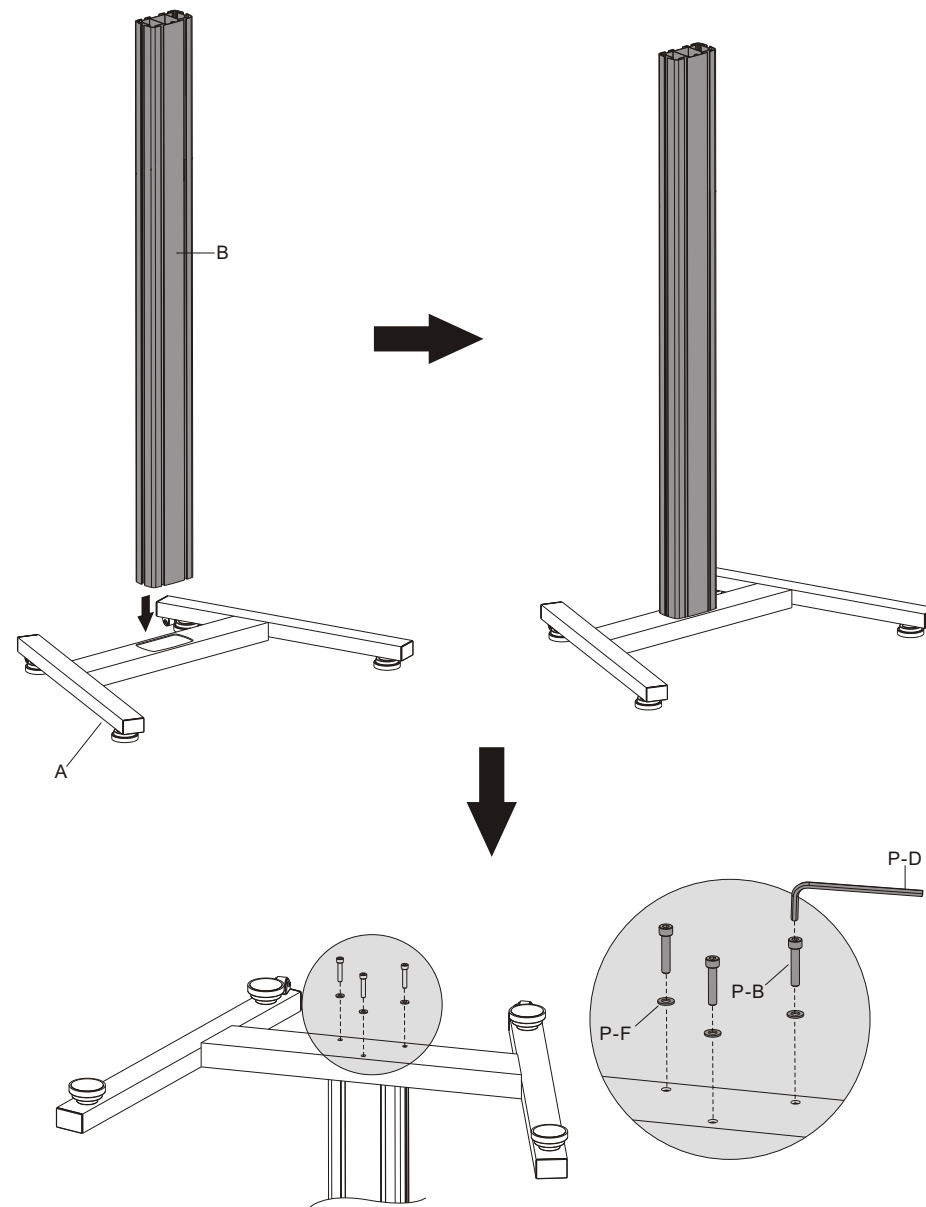
PDS-1503



PDS-1501



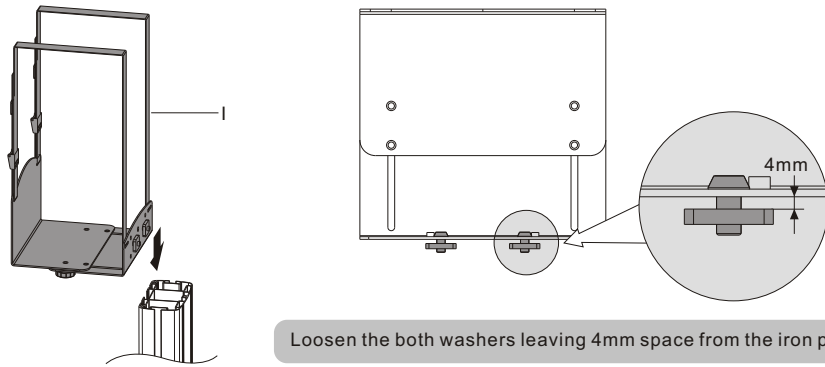
1. Attaching the Column to the Base



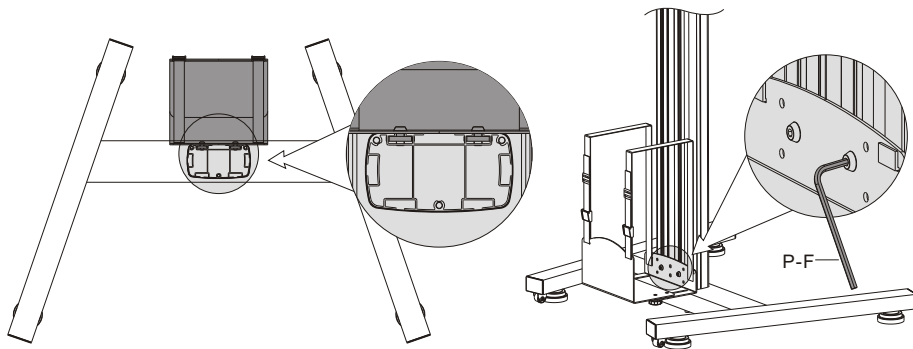
Attach the column to the base using the appropriate screws and washers, Then tighten all screws to secure them.

2. For the model PDS-1504 installation
(Assembly based on the accessories selected by user)

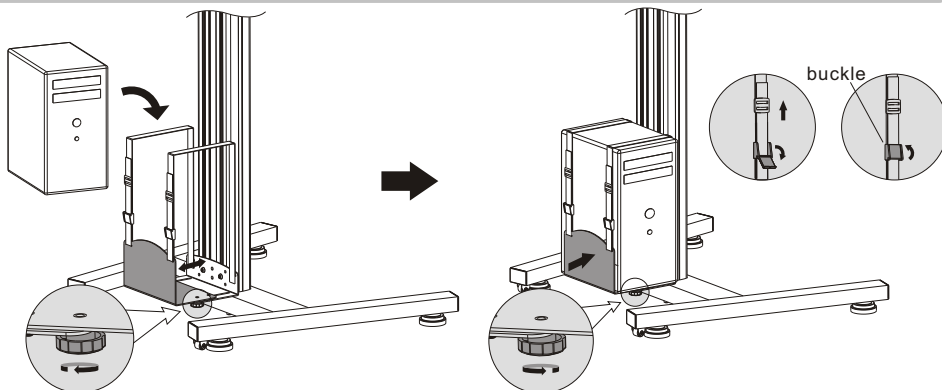
Installing the Host Machine Rack



Loosen the both washers leaving 4mm space from the iron plate.



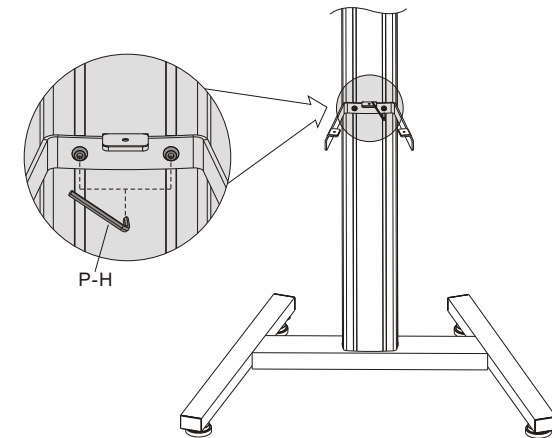
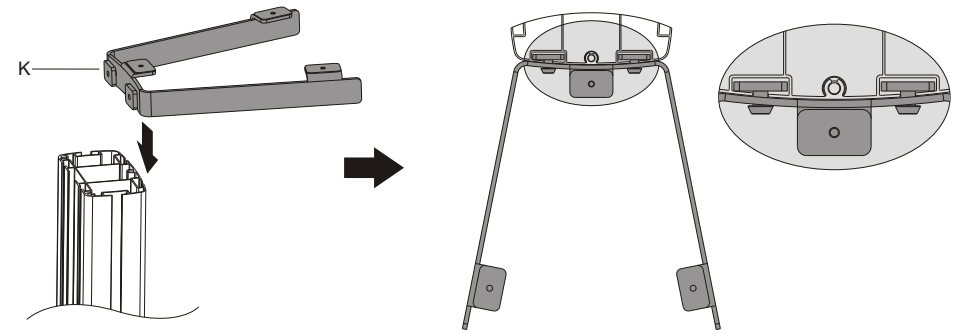
Insert the host machine rack to the desired position along the column slots, Tighten all screws with an Allen key to secure.



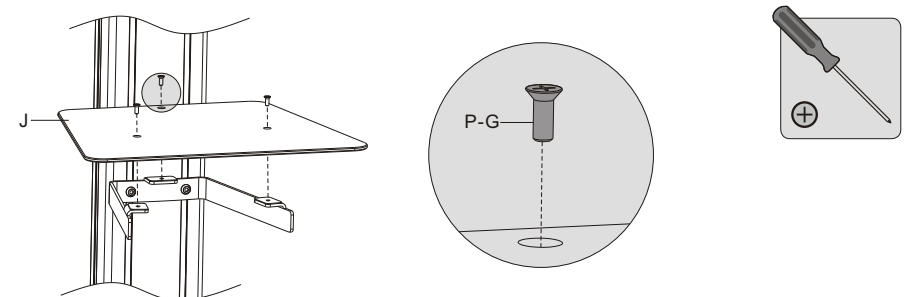
- Loosen the knobs to pull one side of the rack to make it keep the maximum space.
- Put the host machine in the rack and push gently one side of the rack to keep it close to the host machine then tighten the knobs to secure. For security, please buckle up the belt.

3. For the model PDS-1502 installation
(Assembly based on the accessories selected by user)

Installing the Iron Shelf



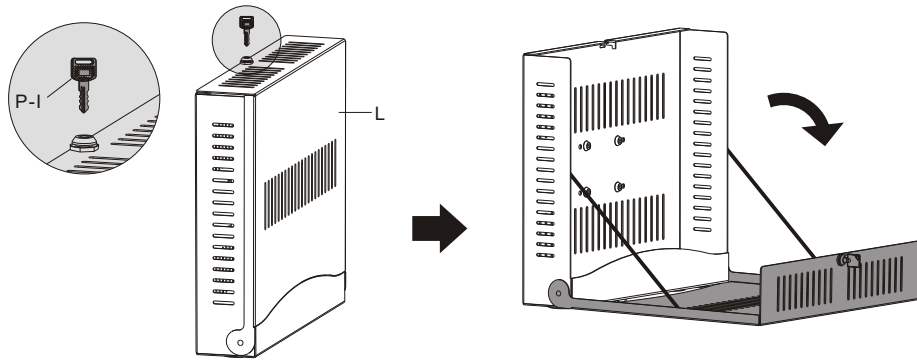
Insert the shelf support to the desired position along the front slots of the column. Tighten the two screws to secure it.



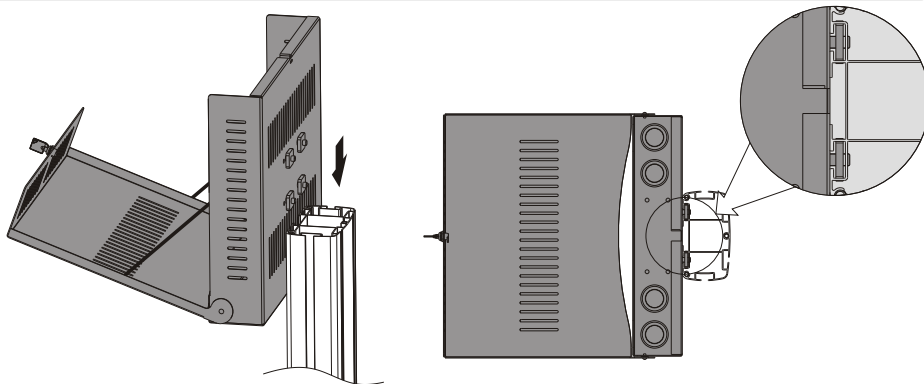
Attach the iron shelf to the shelf support using three screws, tighten them with a proper screwdriver.

4. For the model PDS-1503 installation (Assembly based on the accessories selected by user)

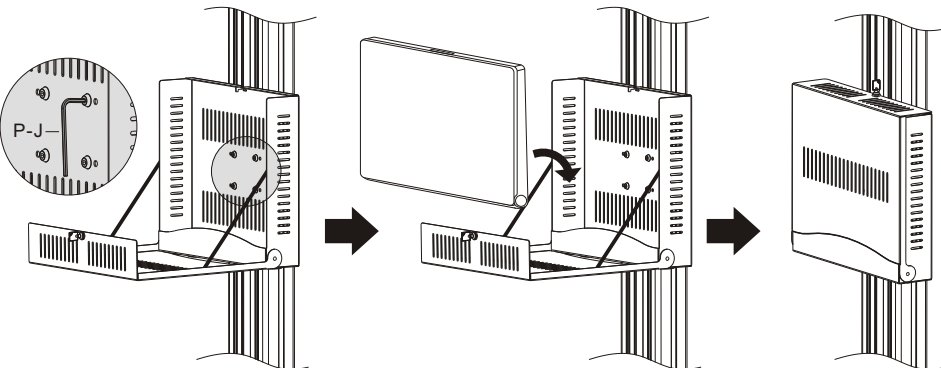
Installing the Laptop Box.



Use the key to open the laptop box.

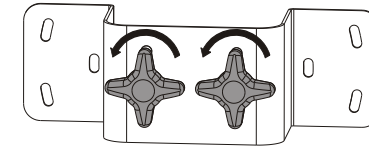


Insert the laptop box to the desired position along the column slots. Then tighten all screws to secure.

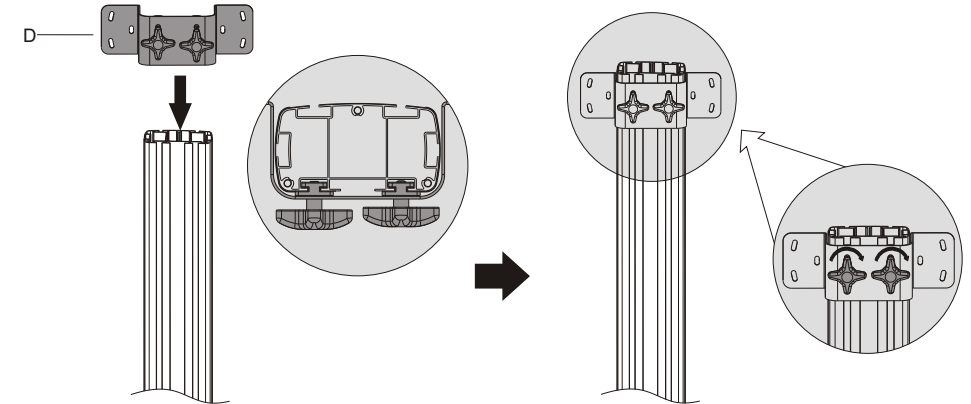


Put the laptop into the box gently then close the box and lock it.

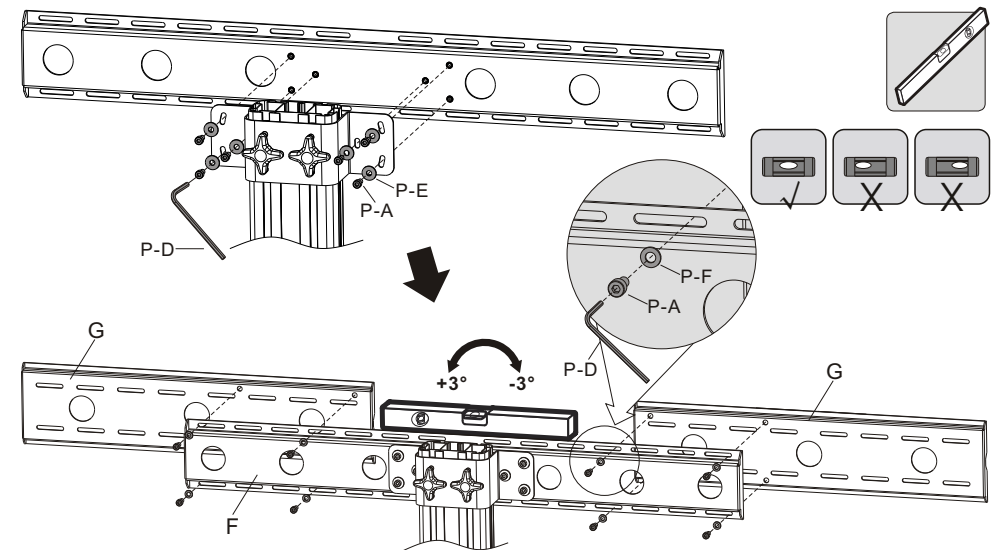
5. Installing the Universal Plates



Loosen the two knobs on the fixing piece to make it easy to insert the column.



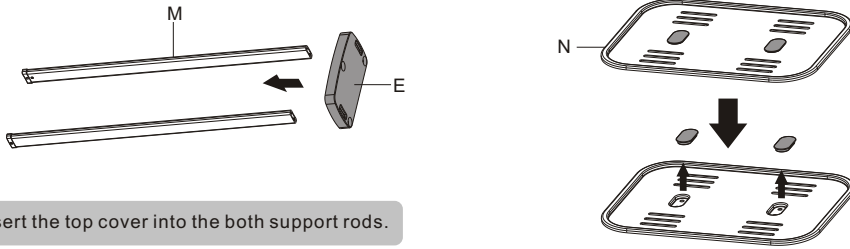
Insert the fixing piece to the desired position along the back slots of the column. Level the fixing piece and tighten both knobs.



- Attach the big universal plate to the fixing piece using screws and washers provided. Level the big universal plate then tighten all screws with an Allen key.
- Then attach the universal plates to the big universal plate using screws and washers (Determine the position for the universal plates keeping in mind display sizes). Tighten all screws to secure.

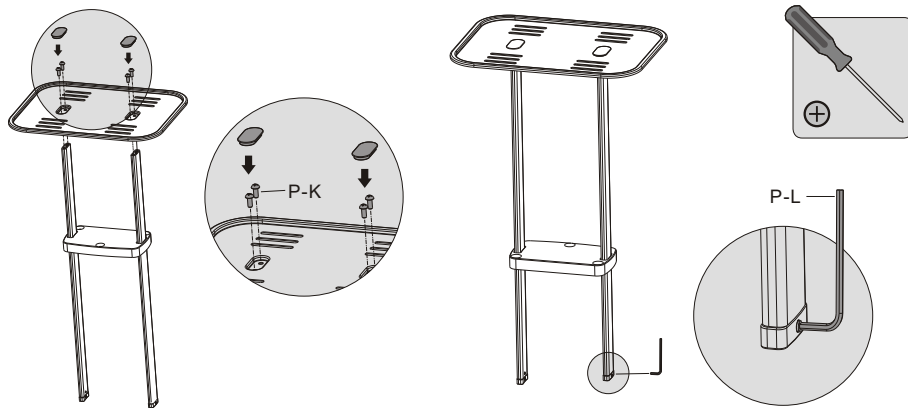
6. For the model PDS-1501 installation (Assembly based on the accessories selected by user)

Installing the Camera Shelf.

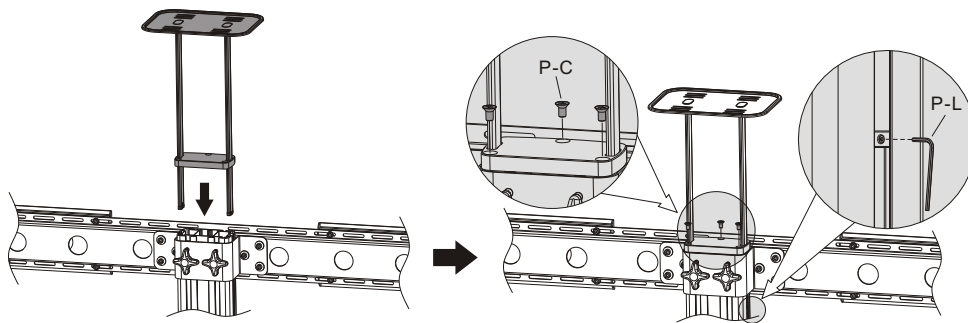


Insert the top cover into the both support rods.

Remove the two caps from the camera shelf, Attach the camera shelf to the support rods using four screws and tighten all screws to secure it and then reattach the caps to the camera shelf.

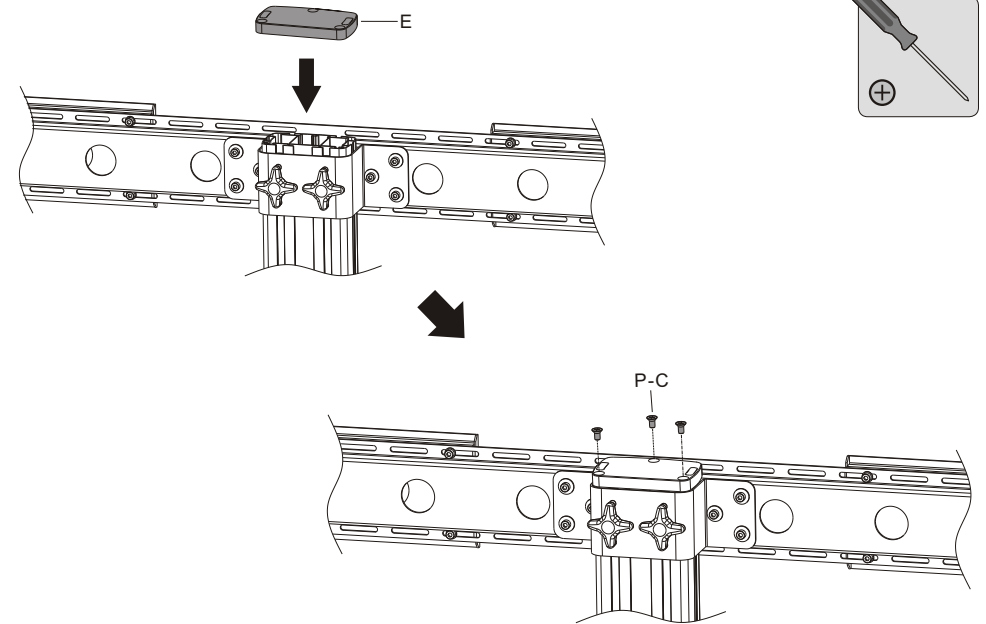


Loosen the screws (but don't remove) on the bottom of support rods.



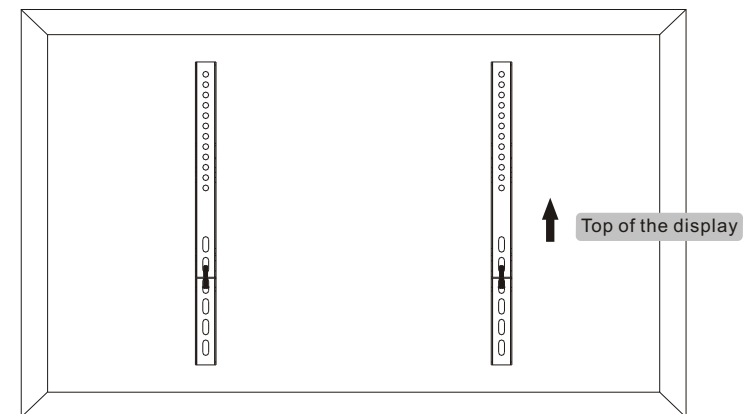
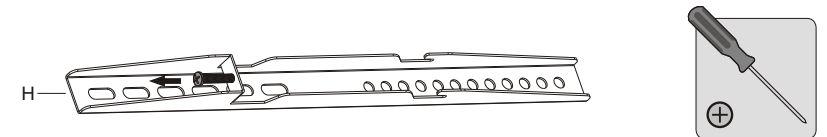
- Insert the support rods to the desired position (Determine the position for support mount keeping in mind display size .) along the column slots and tighten both screws to secure the support mount.
- Use three screws to fasten the top cover.

7. Installing the Top Cover

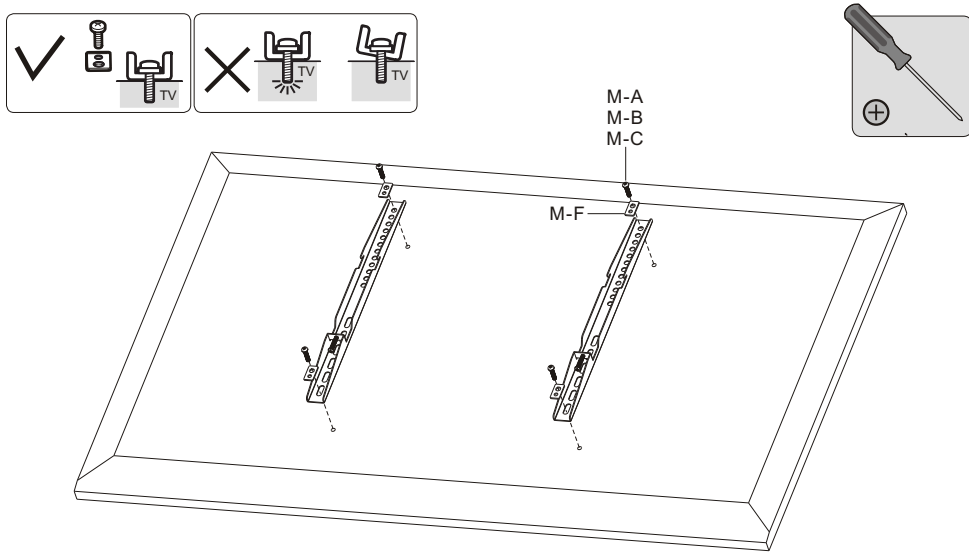


Use three screws to fasten the top cover.

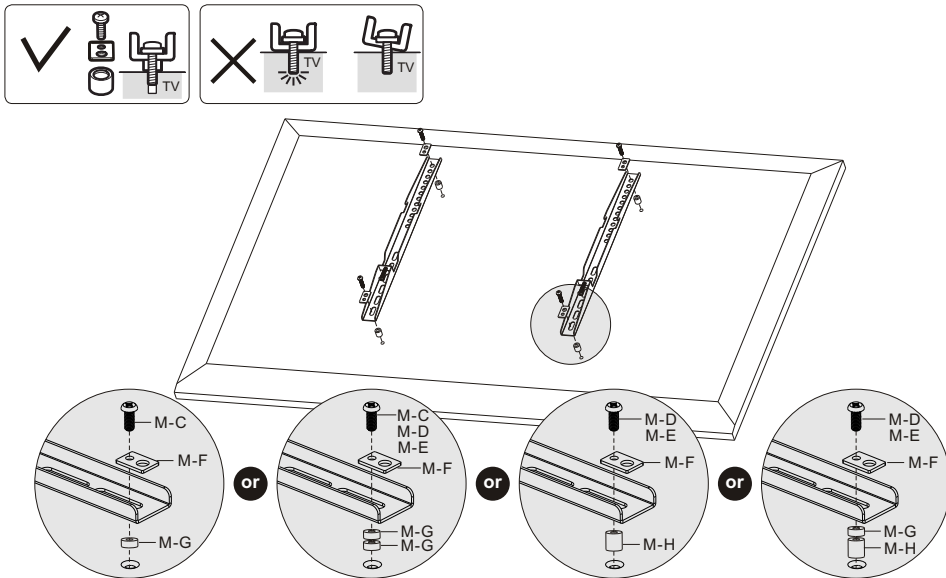
8. Installing the Adapter Brackets



8-1 For Flat Back Screens



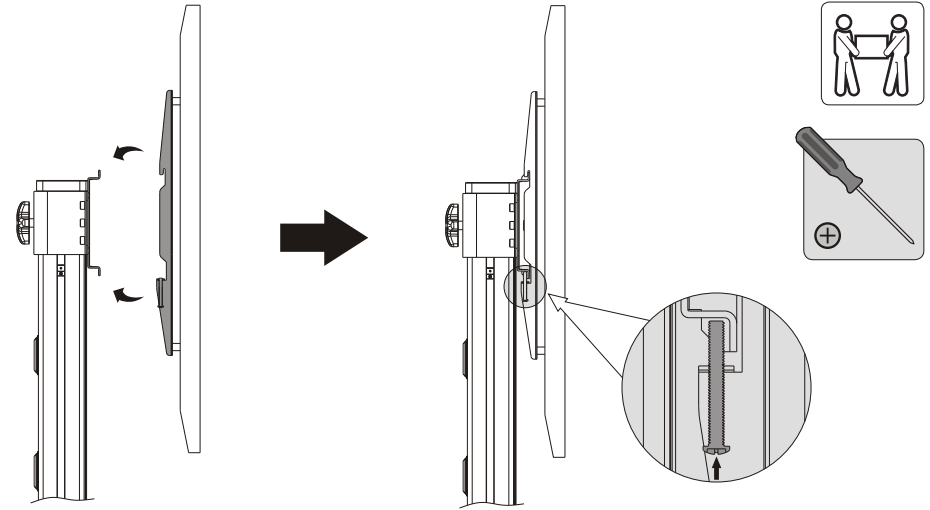
8-2 For Recessed Back Screens or to Access A/V Inputs



Note: Choose the appropriate screws, washers and spacers (if necessary) according to the type of screen.
 • Position the adapter brackets as close as possible to the center of the display.
 • Screw the adapter brackets onto the display.

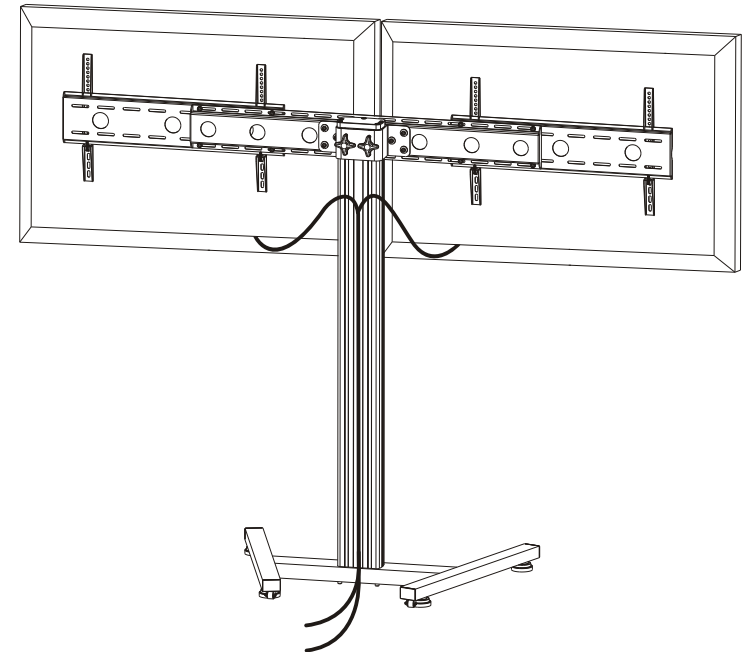
⚠ Tighten all screws but do not over tighten.

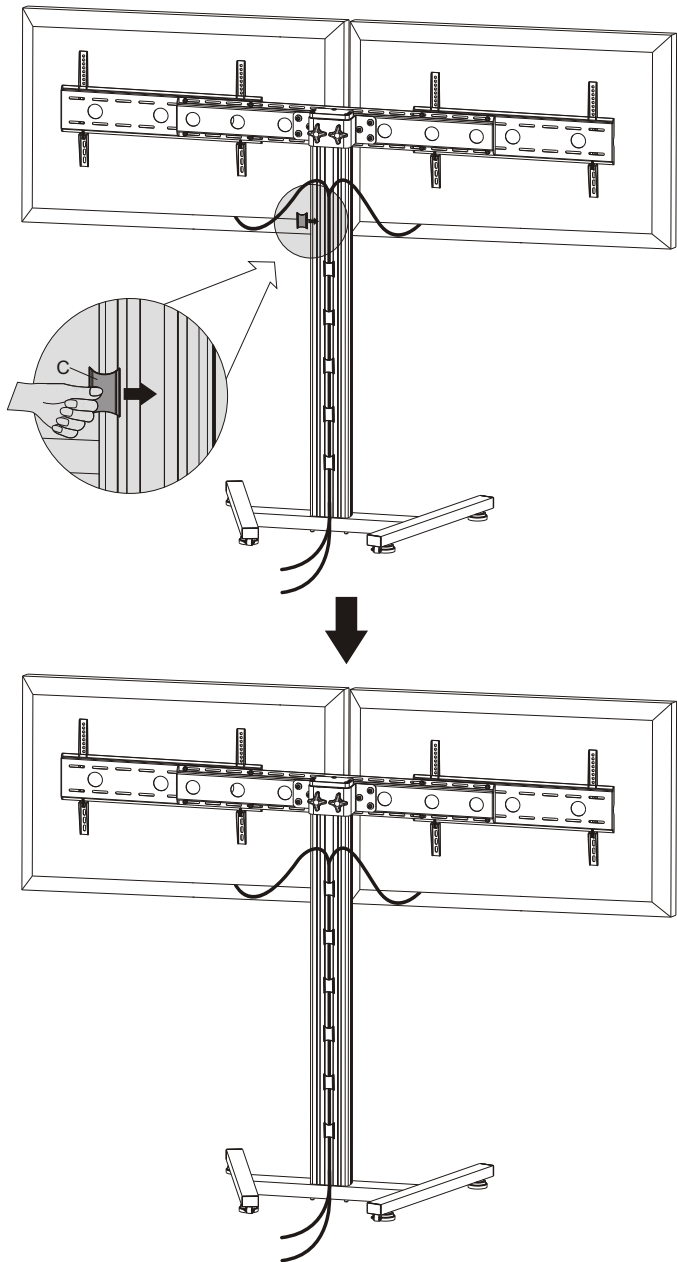
9. Hanging the Displays onto the Universal Plates



Tighten the bottom bolts to secure the brackets to the universal plates.

10. Cable Management





Maintenance

- Check that the bracket is secure and safe to use at regular intervals (at least every three months).
- Please contact your distributor if you have any questions.

• Use the cable clips for routing cables.