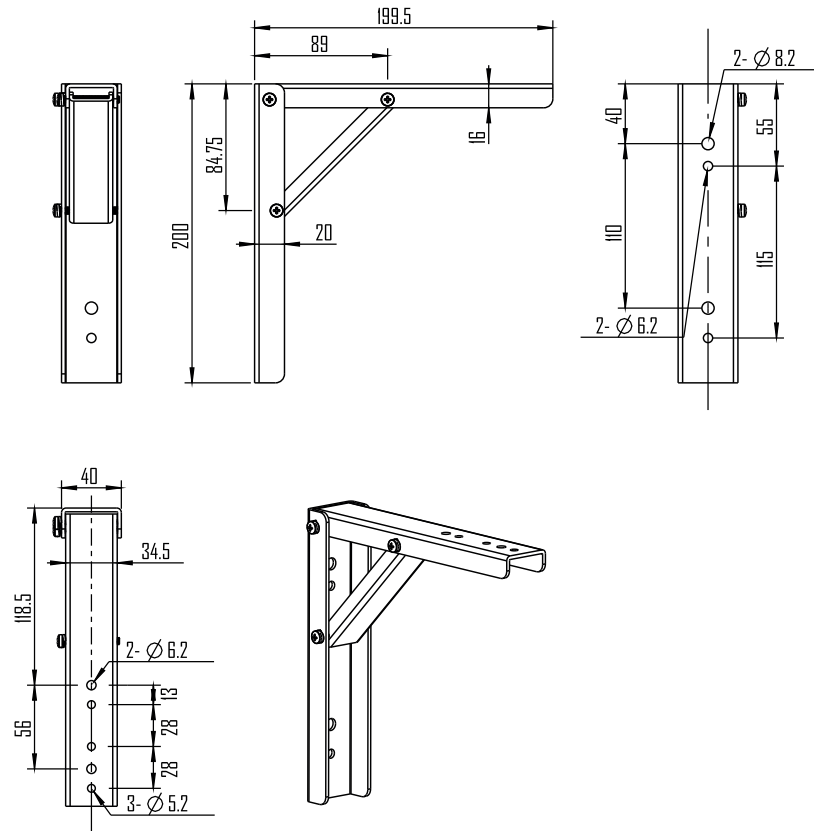
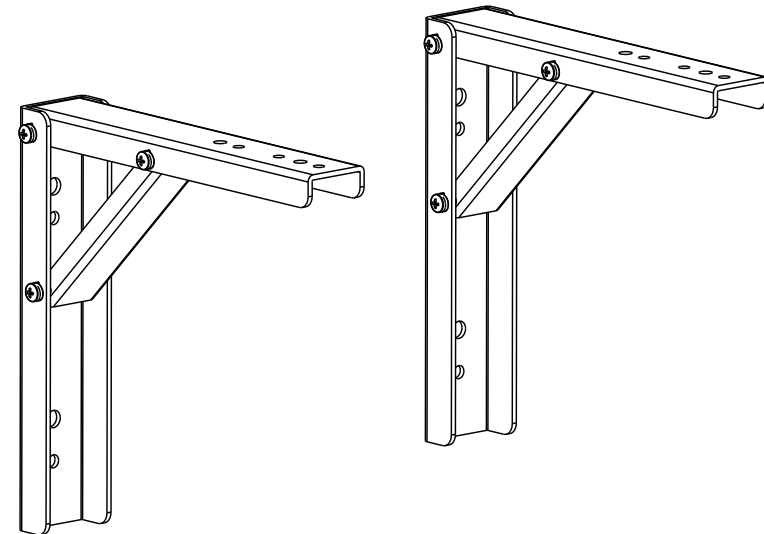


Dimensions



GRANDVIEW®
GRANDVIEW REPRODUCING GENUINE COLORS

Installation Guide for Sheet Metal Extension Bracket



Grandview Crystal Screen Canada Ltd.

#11- 3751 North Fraser Way,
Marine Way Business Centre,
Burnaby, BC, Canada V5J 5G4
Tel: 1-604-412-9777 Fax: 1-604-412-9796
Website: www.grandviewscreen.ca

Guangzhou Grandview Crystal Screen Co., Ltd.

P.O. 511400 Federal Ind. Zone No. 363, Yushan West Road,
Shiqiao, Panyu District, Guangzhou, Guangdong, China
Tel: +8620-8489-9499 Fax: +8620-8480-3343
Website: www.grandviewscreen.com



GRANDVIEW®

Thank you for purchasing a Grandview projection screen.

Before use, please read instructions carefully.

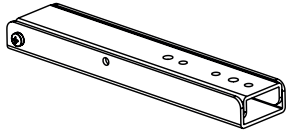
After installation, store instructions for future reference.

Caution:

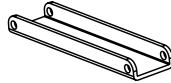
To assure safety, please make sure the wall to be installed on can bear a weight twice heavy as the weight of the screen.

Installation Kit

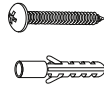
Horizontal & vertical bar joint(2 sets)



Inclined bar(2pcs)



Φ5x40mm self-tapping screws and swell plastic button(4sets)



M5x38mm screws(2pcs)



M5x42mm screws(2pcs)



Φ 5 Gasket(6pcs)



M5x30mm screw
M6x30mm screw
(4pcs of each)



M5 anti-skid nut and gasket
M6 anti-skid nut and gasket
(4pcs of each)



Installation Guide

1. Take out the horizontal & vertical bar joint first and make a right angle, refer to diagram 1.
2. Install the M5x42mm screws to the vertical bar, refer to diagram 2.
3. No need to install M5x38mm screws first, refer to diagram 3.

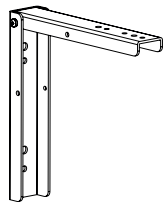


Diagram 1

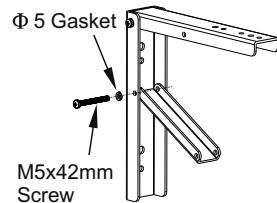


Diagram 2

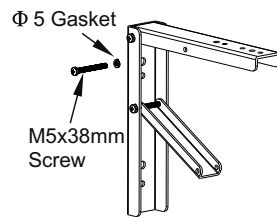


Diagram 3

Installation Guide

4. Install the extension bracket to the wall and make sure it is firm enough, refer to diagram 4 left side.
Install the M5x38mm screw on the horizontal bar, fasten all the screws, refer to diagram 4 right side.

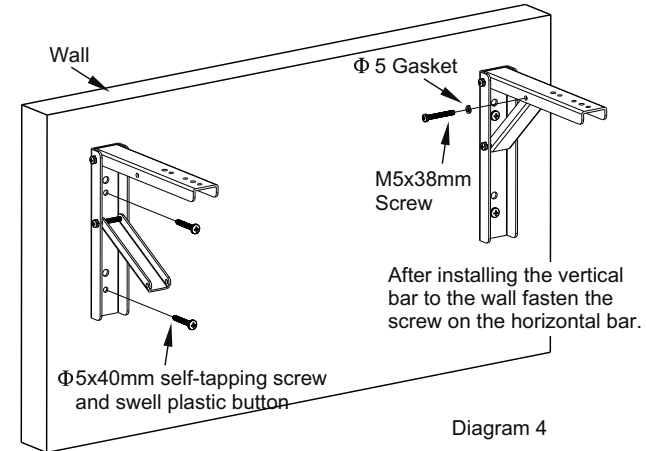


Diagram 4

5. Install the installation bracket to the extension bracket

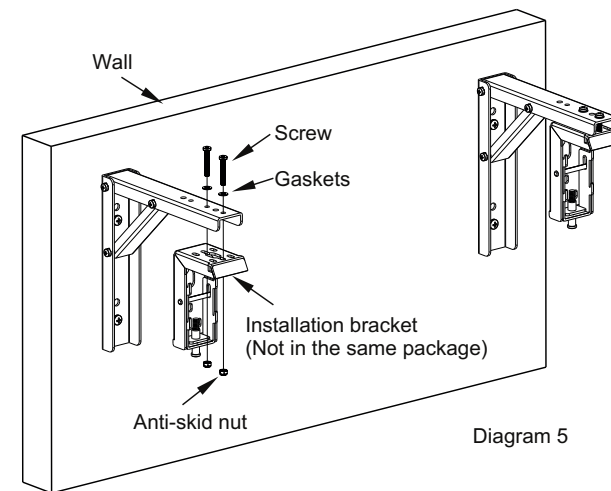


Diagram 5