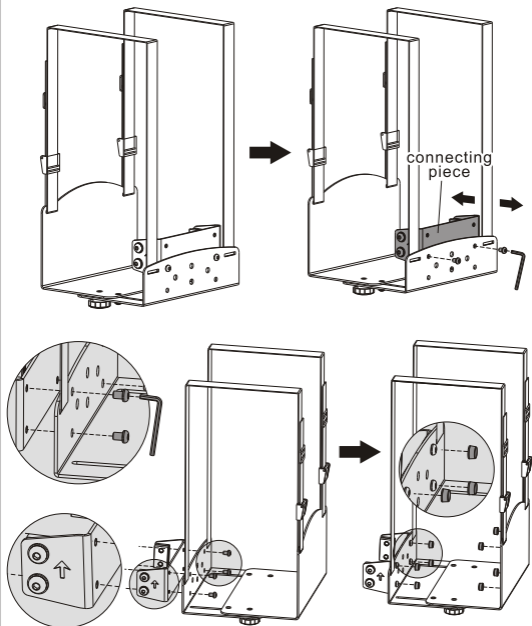


Loosen all screws in order to separate the connecting piece from the host machine rack.



- Attach the connecting piece removed in the previous step to the outside of host machine rack using the screws.
- Peel off the backing paper from the silicone pads and stick the silicone pads on to the host machine rack.