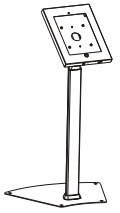
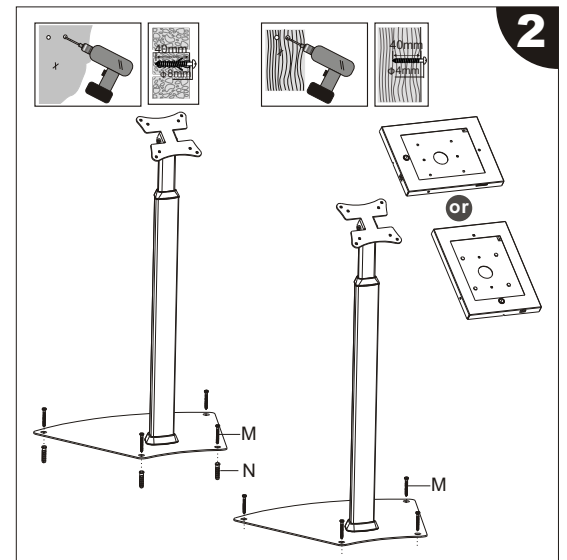
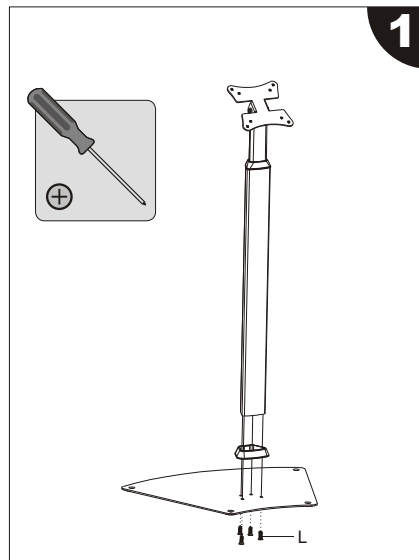


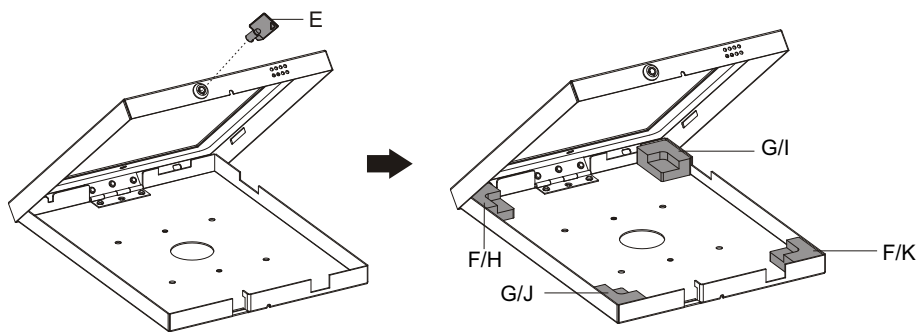
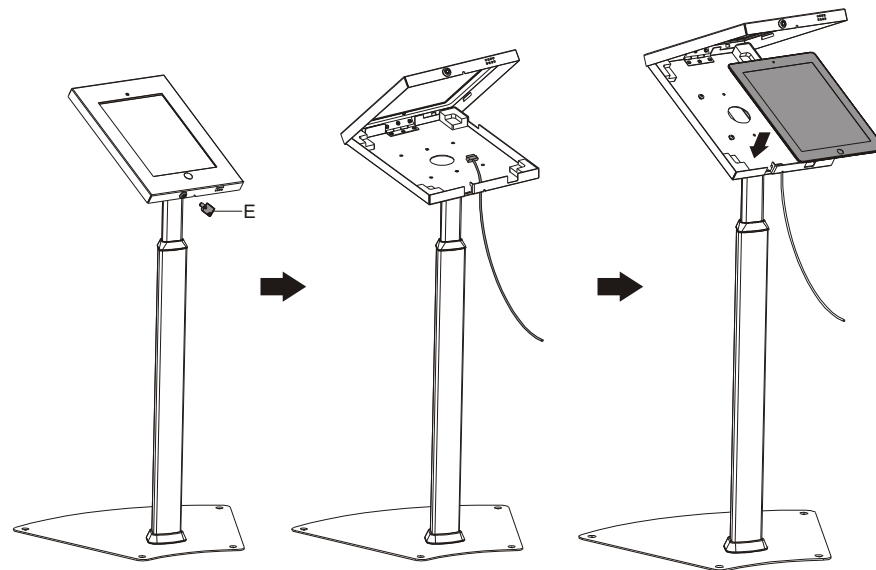
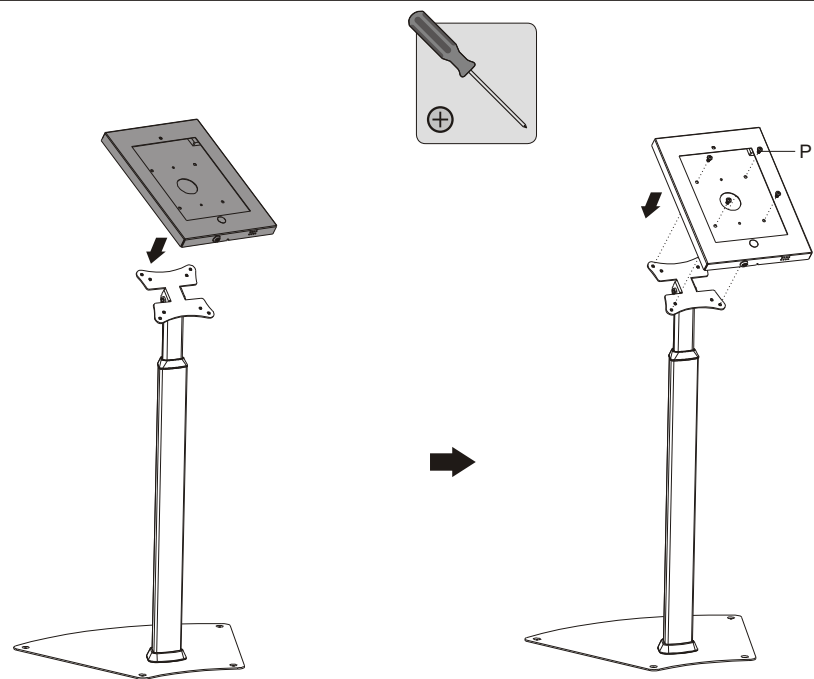
PUREMounts<sup>®</sup> DS

# PDS-5620 Installation Instruction



ITEM	DESCRIPTION/PART NO.	QUANTITY	ITEM	DESCRIPTION/PART NO.	QUANTITY
A	pole	1	I	silicone pad(D)	1
B	anti-theft box	1	J	silicone pad(E)	1
C	base	1	K	silicone pad(F)	1
D	plastic pad	1	L	M6x16	4
E	key	2	M	ST5.5x38	4
F	silicone pad(A)	2	N	Concrete anchor	4
G	silicone pad(B)	2	O	Allen key	1
H	silicone pad(C)	1	P	M5x8	4
			Q	silicone pad(G)	2
			R	silicone pad(H)	2



**3****5****4****6**