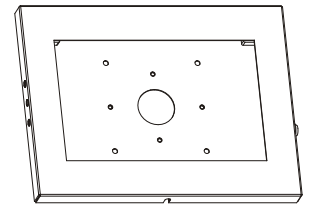
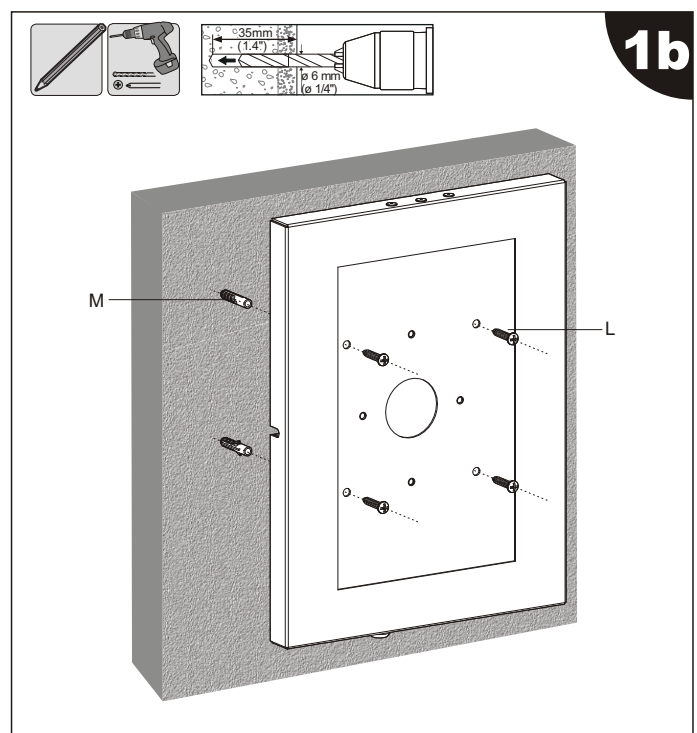
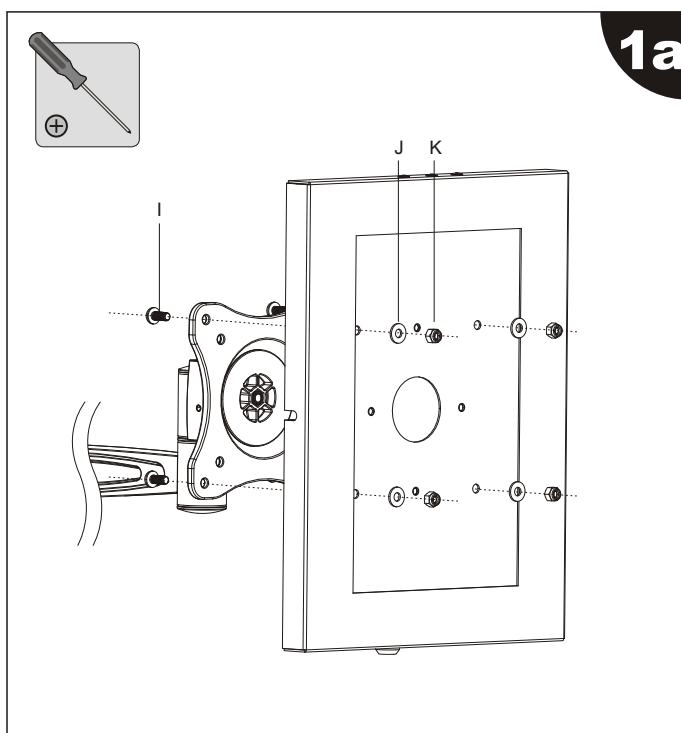


# PDS-5710/PDS-5711/PDS-5712 Installation Instruction

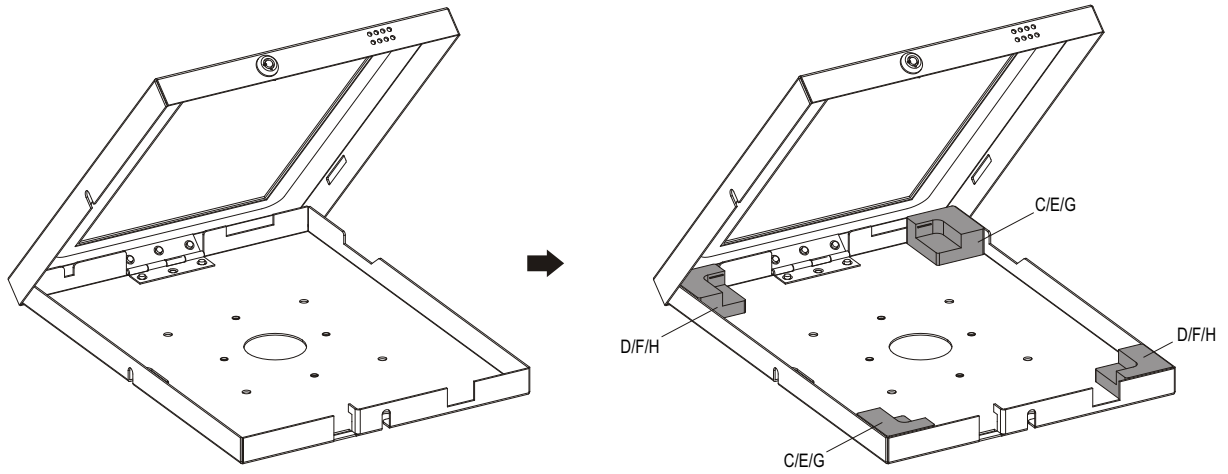


ITEM	DESCRIPTION/PART NO.	QUANTITY
A	case	1
B	key	1
C	silicone pad(A)	2
D	silicone pad(B)	2
E	silicone pad(C)	2
F	silicone pad(D)	2

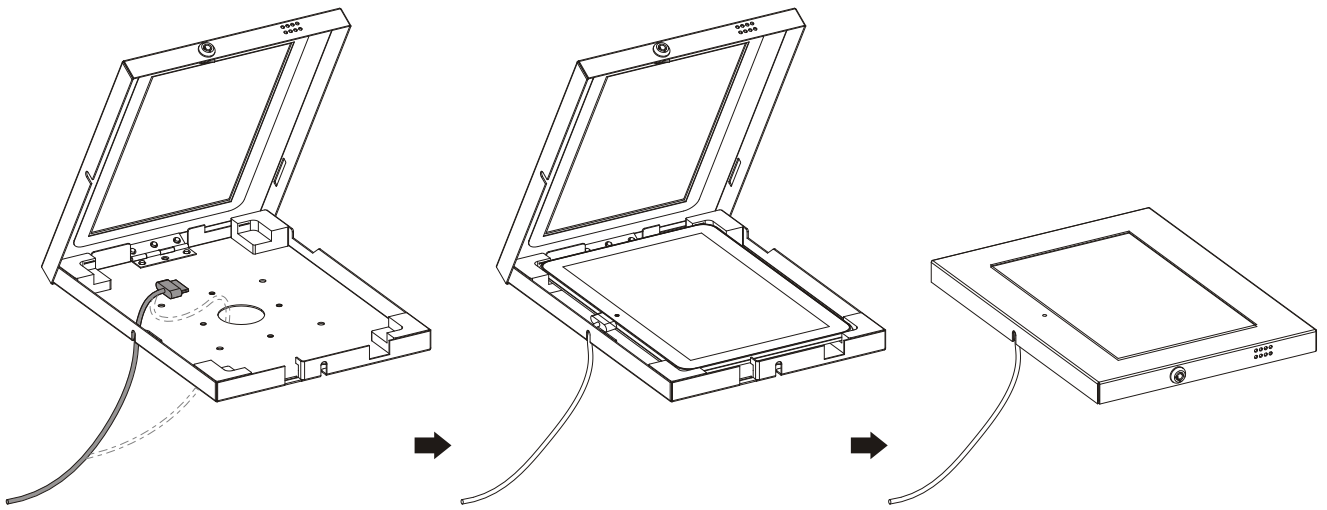
ITEM	DESCRIPTION/PART NO.	QUANTITY
G	silicone pad(E)	2
H	silicone pad(F)	2
I	M5x12	4
J	washer	4
K	M5	4
L	ST4.8x30	4
M	Concrete anchor	4



2



3



4

